

Housekeeping / Room attendant trolleys

e-Atlas 800

Service efficace des chambres



Équipement standard

- Châssis en aluminium anodisé
- Compartiment ouvert pour produits d'accueil
- 3 niveaux de rangement pour le linge propre
- Poignée de conduite
- Pare-chocs périphérique gris non marquant
- 4 roues pivotantes Ø 160 mm à bandage polyamide non marquant
- Accélération progressive et silencieuse
- Grande maniabilité
- Pivote sur place

E-ATLAS 800

Options



Waste bag holder mono and foldable base



Waste bag holder duplo (selective waste sorting) and foldable base



Waste bag curtain



Linen bag holder and foldable base



Foldable base



Linear dividers for amenities compartment / drawer



Amenities drawer



Stationery drawer including linear dividers



Doors with or without lock (opening up to 270°)



Coupling with satellite Callisto or Hermia



Stackable water tight box for tableware



15 or 30l lateral container (bacbis)



Lid for amenities compartment with or without lock



Lateral boxes for various uses



Mop holder and hook



Additional horizontal steering handle



Extra protection via additional swivelling corner pads

E-ATLAS 800

Coloris

Compact finishes



Light grey

Ref xx = 09



Wenge oak look

Ref xx = 11



Black caviar look

Ref xx = 14



Almond look

Ref xx = 17

Textile finishes



Black



Grey



Brown

E-ATLAS 800

Exemples de configurations



Basic model



Stationery drawer



Amenities drawer



Amenities and stationery drawer



Amenities compartment lid



Amenities compartment lid and stationery drawer



Doors



Stationery drawer and doors



Amenities drawer and doors



Amenities drawer, stationery drawer and doors

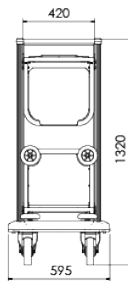
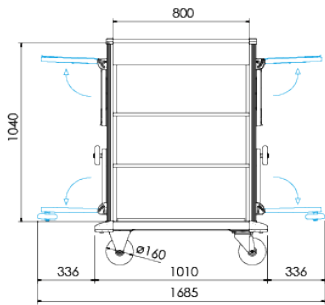


Amenities compartment lid and doors



Amenities compartment lid, stationery drawer and doors

Dimensions



E-ATLAS 800

Overall dimensions

Width	Depth	Height	Wheels Ø
1010 mm	595 mm	1320 mm	160 mm

Inside dimensions

Width	Depth
800 mm	420 mm